

# TECHNICAL DATA SHEET

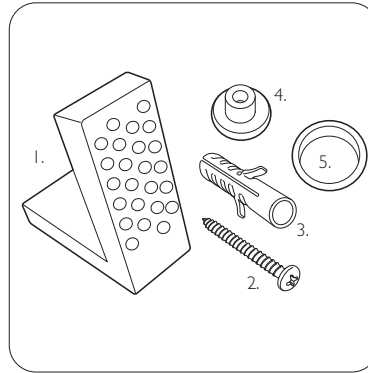
Structure Short Projection Back To Wall WC Pan - BTW475S

# TAVISTOCK

NO.	Description	Product Code	Fixings included	Gross Weight
1	Soft Close Toilet Seat	TS450S	YES	3KG
2	Back to Wall Short Projection WC	BTW475S	YES	23KG



Floor Fixings



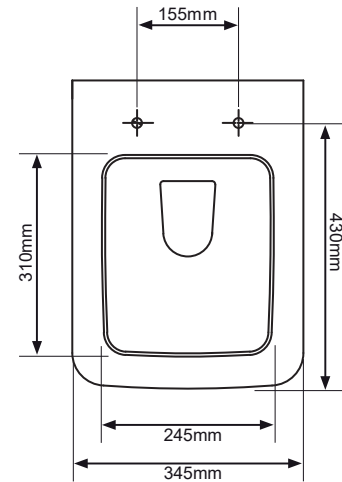
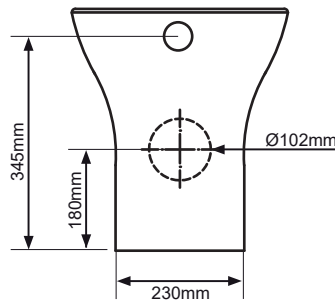
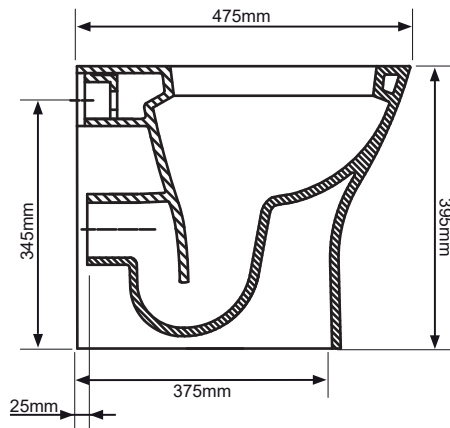
- 1. 2x Nylon Floor Bracket
- 2. 4x Stainless Steel Screws
- 3. 2x Nylon Screw Plugs
- 4. 2x Nylon Screw Collars
- 5. 2x Nylon Collars Caps (Metalic Finish)

Spare Code: SP14211

## DIMENSIONS

DIAGRAMS NOT TO SCALE | ALL DIMENSIONS IN MM TOLERANCE OF ± 5MM

ALL PRODUCTS CONFORM TO BRITISH STANDARDS



\*Dimensions are subject to change, customers are advised to measure actual product before commencing installation.

\*\*Fixing point dimensions are for guidance only. The positions of fixings must be checked when product is received.

## FAQs

Q - Are there any other compatible seats?

A - Yes, TS451S Slim Seat

Q - Which concealed cistern do I use?

A - Torrent (TR9001) or Cascade (TR9002), depending on whether the water feed is bottom or side access. An In-Wall cistern (TR9009) is available for tiled-in installations.

Q - Rim type?

A - Box rim.

Key Dimensions Descriptions	Key Dimensions (mm)
Front to Back Footprint	375mm
Left to Right Footprint	230mm
Bowl Front to Back	310mm
Bowl Left to Right	245mm
Pan Height	395mm
Pan Overall front to Back	475mm
Centre Flush Inlet to Floor	345mm
Centre Waste Outlet to Floor	180mm
Width of Void	155mm
Is there a Ceramic Brace Bar	Yes
Distance from Spigot to back of Pan	25mm